

INSTRUCTION MANUAL

ELECTRIC STOVE REF : AEO-01 - AEO-02



AEO-01



AEO-02

To ensure proper use of this appliance and your safety, please read the following instructions completely before operating this appliance.

English – Original



Index

Safety instructions	3
Technical Specifications	4
First operation	4
Assembly	5
Pre-assembly instructions	5
Operation	6
Maintenance	6
Electrical connection	6
Exploded view and spare parts list	7
Electric circuit diagrams	9
Standards and directives	10
Packaging and device disposal	10



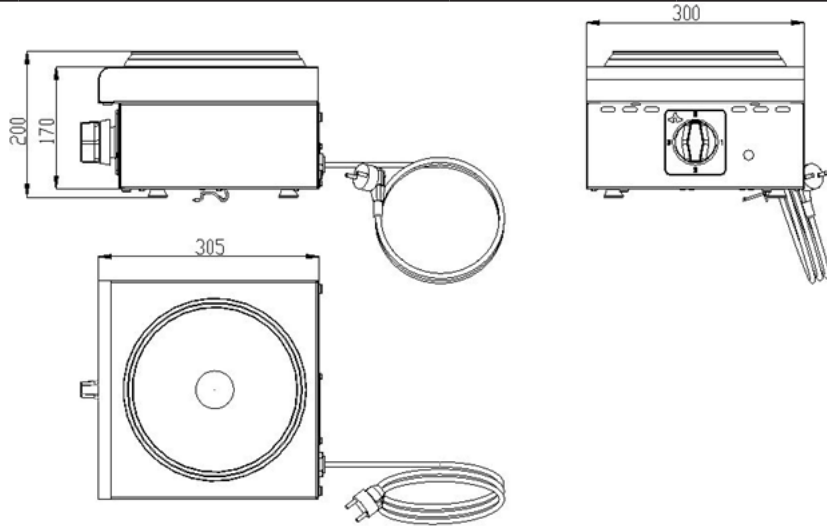
SAFETY INSTRUCTIONS

This user manual contains technical specifications, operating guidelines, operating principles and other information about the device.

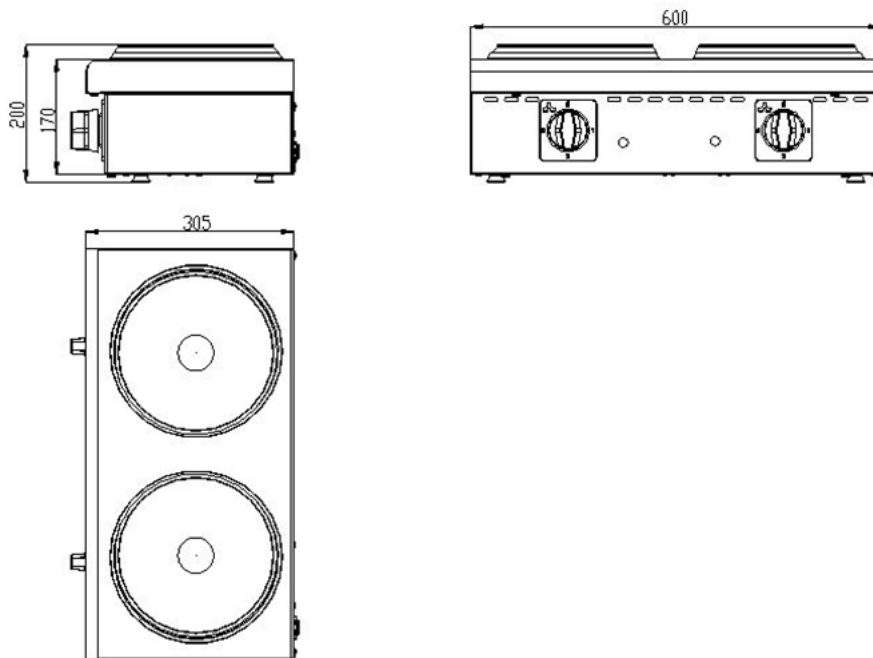
- Before starting the device check whether the electrical mains is compatible with the device settings and make proper cable connection.
- Ensure that the electrical connection of the device is performed in compliance with the related standards.
- Never leave inflammable matters near the device.
- Ensure that the electrical switches are off while checking the device.
- In case of electrical leakage in the device, immediately contact your authorized dealer.
- Never touch the device while checking the electrical leakage.
- Replace the damaged parts with genuine parts. Manufacturing company guarantees that the device shall be within the warranty scope and safe only when these parts are used.
- Use the device on a level surface and fix in on proper fixing pins of under-counter set manufactured according to the device.
- If you detect any malfunction in the device, turn off and plug out the device and contact your authorized dealer. Pay attention not to operate the device before the repair works are completed.
- Unauthorized repairs performed by people other than the authorized service personnel may lead to personal injury or damage to machine.
- Manufacturing company is not responsible for damages arising from incorrect electrical connection of the device.
- All repair works should be performed by authorized service personnel. Otherwise, the device will not be included within the warranty scope.
- Warranty period of the device is 1 year after the purchase date.

TECHNICAL SPECIFICATIONS

Model	Supply Voltage & Operating Frequency	Power	Measures (mm)	Weight (kg)
AEO-01	230 V AC N PE	2 kW	300 x 305 x 200	12
AEO-02	230 V AC N PE	4 kW	21	



AEO-01



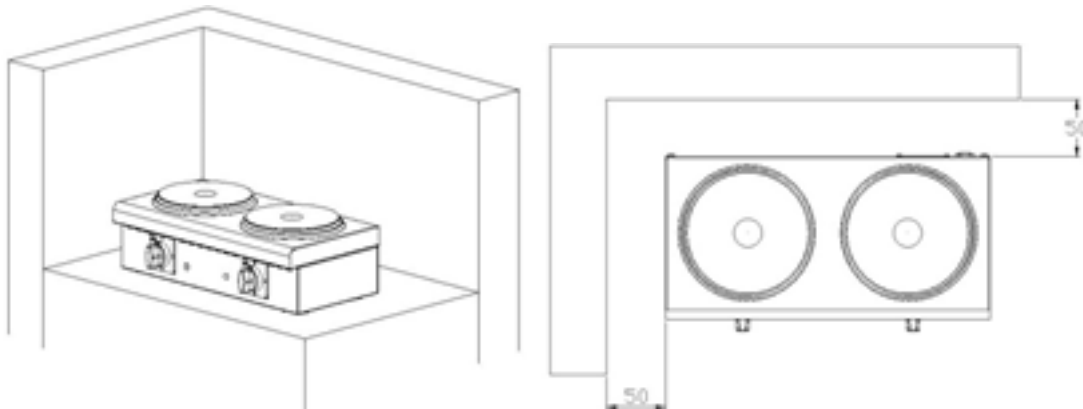
AEO-02

FIRST OPERATION

- Before operating the device for the first time, remove the protective nylon material on the device and then wipe it first with a damp and then dry cloth.
- Do not use detergent to wipe the device.
- Odor and smoke may be present due to the heating parts of the machine during the first operation. These odor and smoke will disappear and are normal.

ASSEMBLY

- Should be mounted and adjusted by experienced technical personnel.
- In order to eliminate smoke and odor that may form during cooking the filter should be located under the hood.
- Should be balanced on four adjustable pillars and located on a level surface. (If there a under-counter set purchased with the device (these under-counter sets are manufactured according to the device dimensions), fixing pins should be fixed on the under-counter sets on the device)
- Side walls should be placed with at least 5 cm gaps.
- Remove the nylon protection and clean the label residues using a proper cleaner.
- Never leave combustible materials near the machine.
- If the device fails or does not work, do not try to repair; call the authorized dealer.

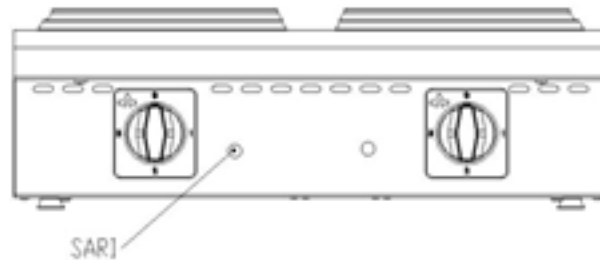


PRE-ASSEMBLY INSTRUCTIONS

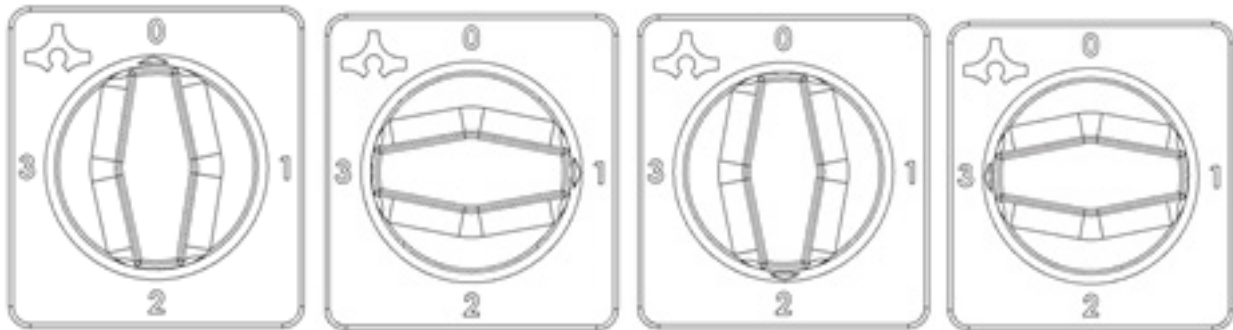
Ensure that the following considerations are fully and properly performed before the assembly. If assembly is not possible as one of the following is missing; transportation fees and hourly wage shall be charged from the customer.

- Electric stoves'
- Electric connection 230 V AC N PE – 240 V AC N PE (AEO-01) (AEO-02)
- Cable Section 3x2,5 H05RR – (AEO-01) (AEO-02)
- Fuse 16 Amp (AEO-01)
- Fuse 25 Amp (AEO-02)
- Electrical stoves are manufactured as wired and wireless.
- Above-mentioned cable section values are only applicable to installation and this device.
- Ground connection should be available in the electrical installation to be used.
- Laying the electrical installation of electrical electric stove is under the responsibility of the customer.
- Electrical stove cables should be laid to ensure access to electrical board.
- If the electrical stove is to be connected to the socket, plug phases should be considered.

OPERATION



YELLOW SIGNAL LAMP : Shows that plates are electrically supplied



Closed (image 1)

1. Grade (image 2)

2. Grade (image 3)

3. Grade (image 4)

- You may adjust the temperature from 1st grade (lowest temperature) to 3rd grade (highest temperature) at desired level by turning the switch clockwise. (Image-2) (Image-3) (Image-4)
- You may operate the device at desired level by changing the grade
- Turning Off : Turn the switch and switch to "0" position.

MAINTENANCE

Turn of the main electric supply before cleaning the device.

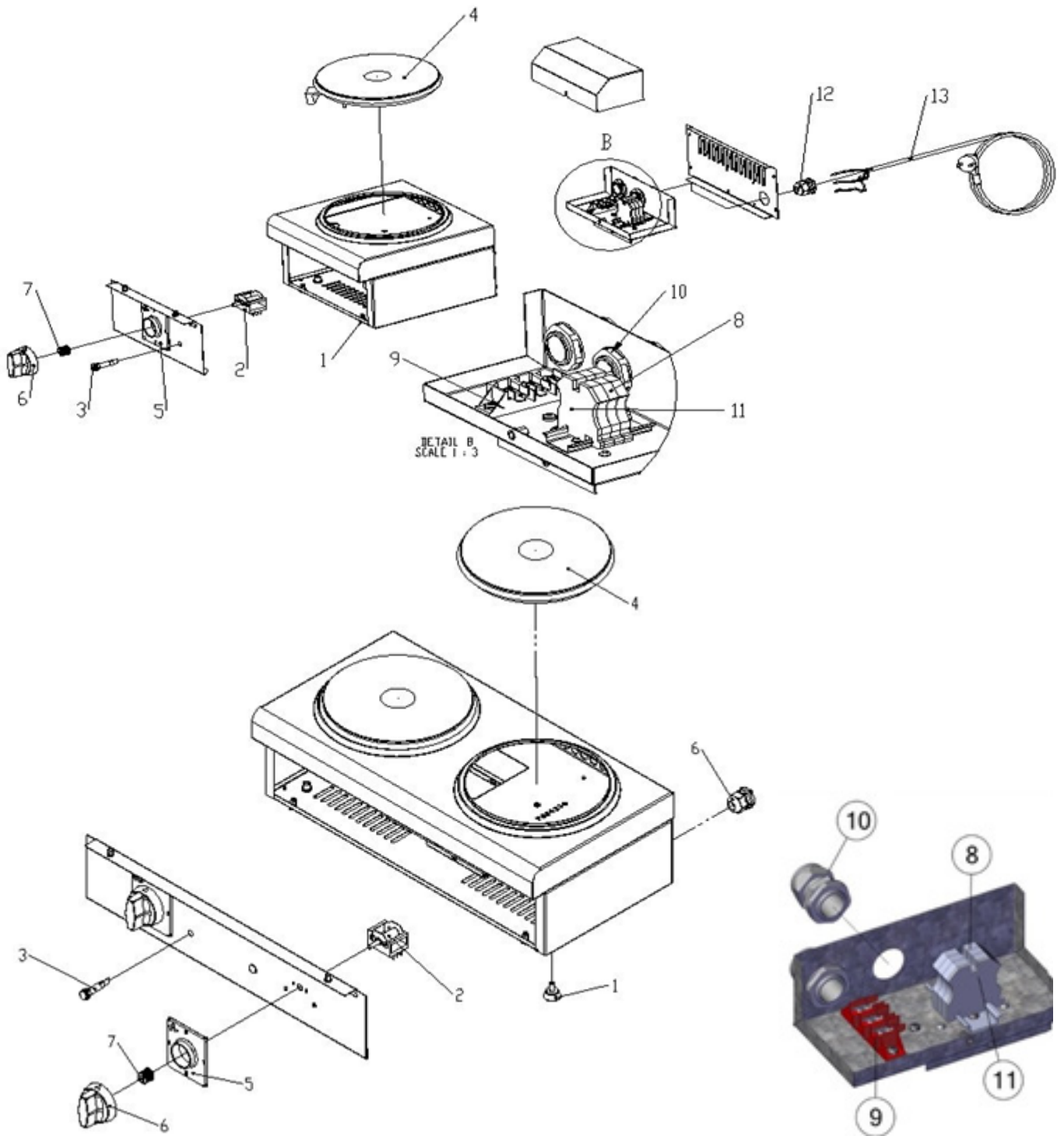
- Do not perform maintenance works while the device is electrically supplied.
- Wipe the device using a cloth dampened in warm and soapy water before the device is cooled down.
- Do not use abrasive materials and tools that may lead to scratches on the device for cleaning. (Use chemical cleaners when necessary)
- Never clean the device using pressurized water or pressurized steam pressure. Otherwise this may lead to plate malfunction.
- While cleaning the device do not allow ingress of water through the vents.
- In case of a danger related to the device contact the authorized service center. Do not allow unauthorized interventions in the machine.

ELECTRIC CONNECTION

- Connect the device to electrical installation in compliance with the electrical norms of the relative country.
- Supply the device with the mains voltage specified on the information label.
- Perform the electric installation of the device using a proper fuse and fix the fuse to an easily accessible location.
- In AEO-01 model, the cable connecting the device to electrical installation should be TTR 3x2.5 mm and in AEO-02 model it should be TTR 5x2.5 type.
- If the device is to be used in the kitchen apply proper grounding system.

CAUTION! MAKE THE CONNECTIONS ACCORDING TO THE NUMBERS ON THE SUPPLY CABLE. OTHERWISE, THE DEVICE WILL NOT BE INCLUDED WITHIN THE WARRANTY SCOPE.

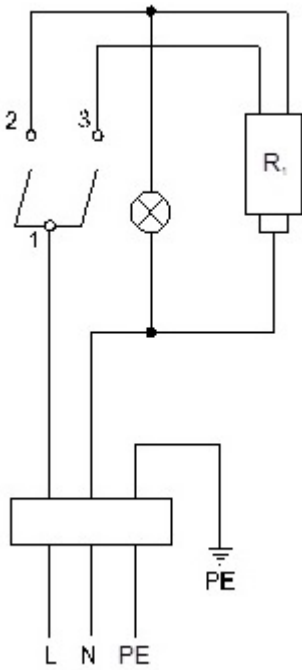
EXPLODED VIEW AND SPARE PARTS LIST



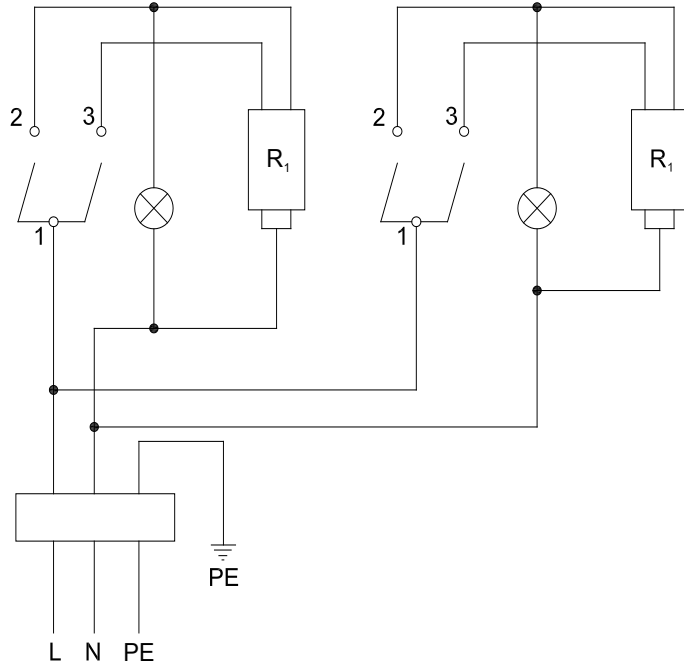


N°	REF	Spare Part Name	AEO-01	AEO-02
1		Adjustable foot	4	4
2	AEO-01-2	Switch	1	1
3		Signal Lamp	1	1
4	AEO-01-4	Plate Heater	1	2
5		Button's Part	1	1
6	AEO-01-6	knob	1	1
7		Button Hub	1	1
8		Pek 6 clemes	1	1
9		3- Clemens	1	1
10		Plactic Cable Part – Grey - PG21	1	1
11		PEK 6 Clemens Part	1	1
12	AEO-01-12	Plactic Cable Part – Grey - PG16	1	1
13	AEO-01-13	3x2,5 Plug Supply Cable	1	1

ELECTRIC CIRCUIT DIAGRAMS



AEO-01



AEO-02

STANDARDS AND DIRECTIVES

Meaning of crossed out wheeled dustbin:

Do not dispose of electrical appliances as unsorted municipal waste, use separate collection facilities.

Contact your local government for information regarding the collection systems available.

If electrical appliances are disposed of in landfills or dumps, hazardous substances can leak into the groundwater and get into the food chain, damaging your health and well-being.

When replacing old appliances with new ones, the retailer is legally obligated to take back your old appliance for disposals at least free of charge.

The device complies with current EU standards and directives. If necessary, we will send you the corresponding declaration of conformity.

Packaging disposal

Please separate the packaging materials accordingly and return them to the responsible collection points for recycling and environmental housing.



Device disposal

once the appliance has been used up, dispose of it properly at a collection point for electrical appliances. Electrical appliances do not belong in household waste.

Your responsible administration will inform you about the addresses and opening hours of collection points. This is the only way to ensure that old appliances are properly disposed of and recycled. Thank you very much!





CE